

Scanmo Racks



Scanmo Racks



- Optimal storage space.
- Adjustable rails.
- Angled position of top supports gives easy access to items stored in higher places.
- Extended shelves for storing large size packs.
- Stops in front and rear ensure safe storage and use of modules.
- The frames are made of square metal tubing and powder coated in a gray color epoxy.



Scanmo Racks - installation diagram

Mounting

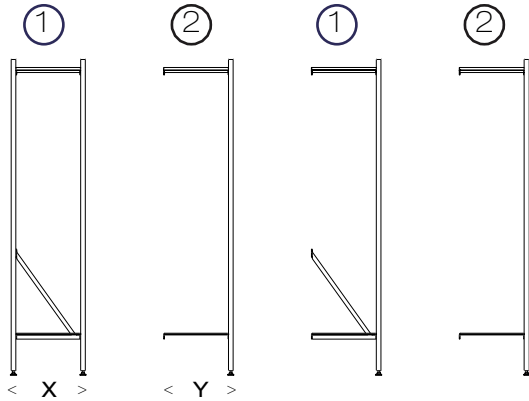
Max. 30 supports per section

Module configuration:

angled/straight stabilizer fitted to every other section

Shelf configuration:

angled/straight stabilizer fitted to every section



Type A

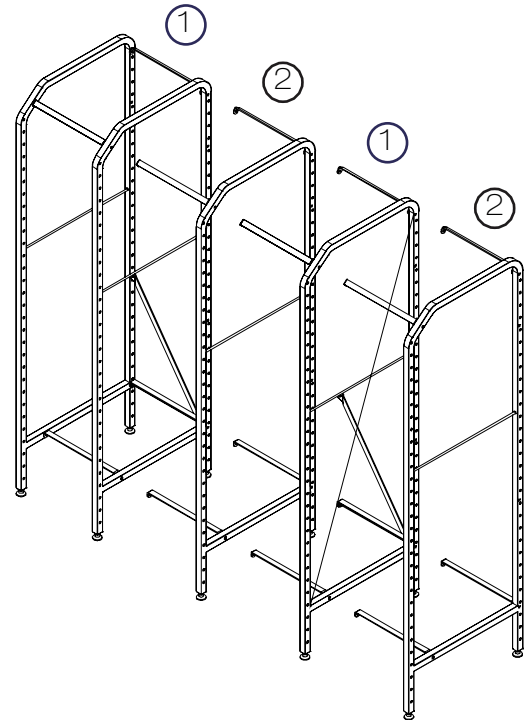
First section (external measurements) 495 mm (19½") ±1 (X)

Add-on (external measurements) 455 mm (17⅞") ±1 (Y)

Type B

First section (external measurements) 695 mm (27⅜") ±1 (X)

Add-on (external measurements) 655 mm (26⅙") ±1 (Y)



Measurements in mm and inches

Distance between holes 62,5 (2½")

665 (26⅙")

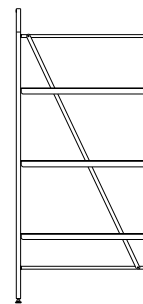
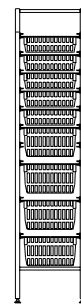
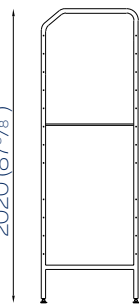
495 (19½")

925 (36⅜")

Type A insert



2020 (87⅜")

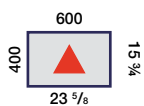


465 (18¼")

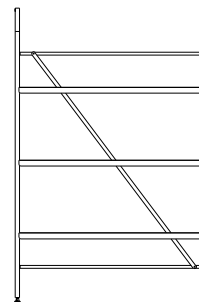
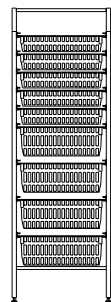
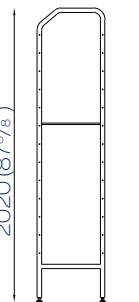
695 (27⅜")

1340 (52¾")

Type B insert



2020 (87⅜")



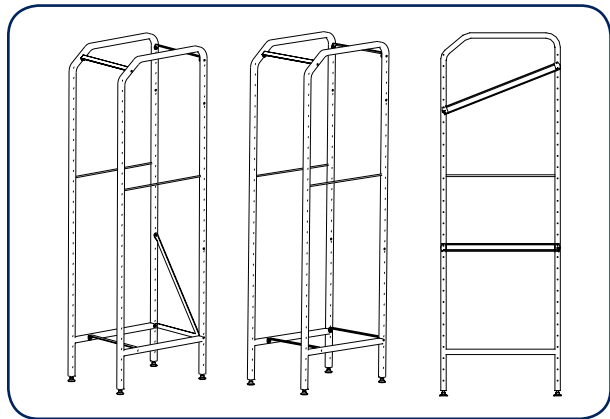
Scanmo Racks - for Modular Supports or Extended Shelving

Type A Modular

Side-frame 600 mm (23⁵/₈") 16-71608

- ① Stabilizer set (3 straight & 1 angled/straight) 16-71611
- ② Stabilizer set (4 straight) 16-71613

Angled support (right) 16-71603
 Angled support (left) 16-71604
 Horizontal support (right) 16-71601
 Horizontal support (left) 16-71602

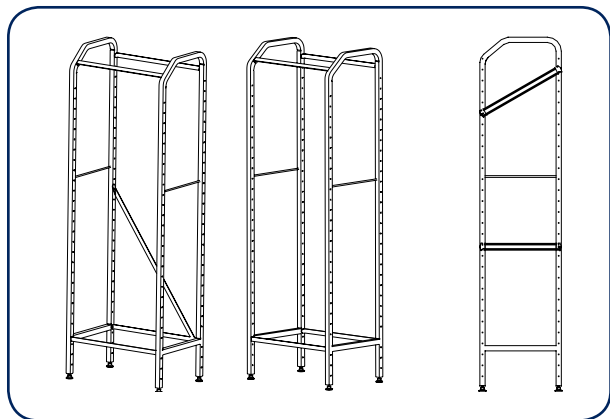


Type B Modular

Side-frame 400mm (17³/₄") 16-71408

- ① Stabilizer set (3 straight & 1 angled/straight) 16-71411
- ② Stabilizer set (4 straight) 16-71413

Angled support (right) 16-71403
 Angled support (left) 16-71404
 Horizontal support (right) 16-71401
 Horizontal support (left) 16-71402



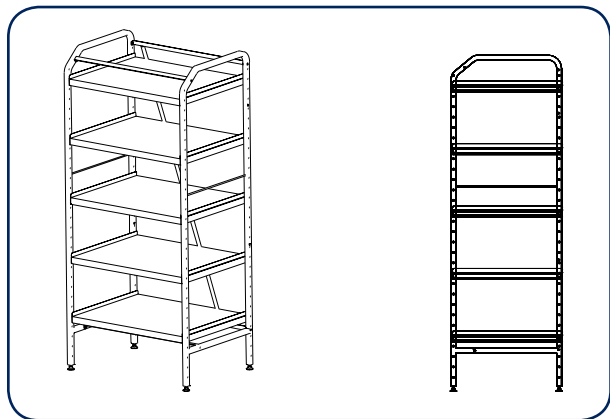
Type A Shelving

Side-frame 600mm (23⁵/₈") 16-71608

Stabilizer set (4 straight & 1 angled) 16-71617

Shelf 850x660mm(33¹/₂ x 23⁵/₈") 16-71620

Horizontal support (right) 16-71601
 Horizontal support (left) 16-71602



Type B Shelving

Side-frame 400mm (17³/₄") 16-71408

Stabilizer set (4 straight & 1 angled) 16-71417

Shelf 1265 x445mm(49³/₄ x 17¹/₂") 16-71420

Horizontal support (right) 16-71401
 Horizontal support (left) 16-71402

